

KC85T-1

High efficiency multicrystal photovoltaic module



EXAMPLES OF APPLICATION

- Small grid-connected systems
- Stand-alone systems (e.g. electrifying remote houses, holiday homes and allotment systems, etc.)
- Supplying electricity to outlying villages and medical institutions in rural areas and development zones
- Emergency power supply, protection against catastrophes
- Pumping systems (e.g. drinking water supply and irrigation)
- Telecommunications (e.g. mobile phone networks, booster stations, etc.)
- Oil & gas (e.g. corrosion proofing, control, monitoring, etc.)



CUTTING-EDGE TECHNOLOGY

Exhaustive research work, continuous further development of production processes and highly automated production enable polycrystalline Kyocera solar modules to attain an exceptional standard of quality and markedly high levels of efficiency.

The integrated Kyocera high-performance solar cells with a standard size of 15 cm x 15.5 cm achieve over 16 % efficiency, guaranteeing an extremely high annual yield of energy from the photovoltaic system.

To protect against the harshest weather conditions, the cells are embedded between a reinforced glass covering (hailstorm resistance complying with IEC 61215, tested by TÜV) and EVA foil, and are sealed with a PET foil backing. The laminate is set in a sturdy aluminum frame which is easy to assemble.

The back of the junction box is equipped with bypass diodes that eliminate the risk of the individual solar cells overheating (hot spot effect). The solar cables ensure flexible installation in the junction box which definitely simplifies the installation of stand-alone solutions in particular.

Kyocera manufactures all the components at its own production sites – without buying in semi-finished products – to ensure consistently high product quality.

TUVdotCOM Service: Internet platform for tested quality and service
TUVdotCom-ID: 0000007146
IEC 61215 and Safety Class II
Kyocera is ISO 9001 and ISO 14001 certified and registered.

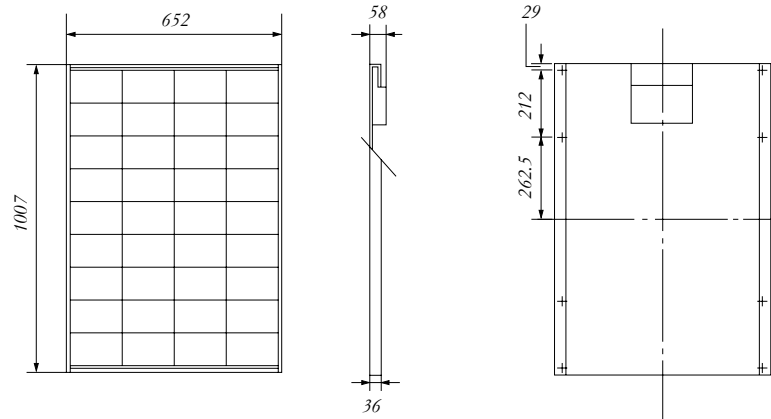


**KYOCERA
SOLAR**

We care!

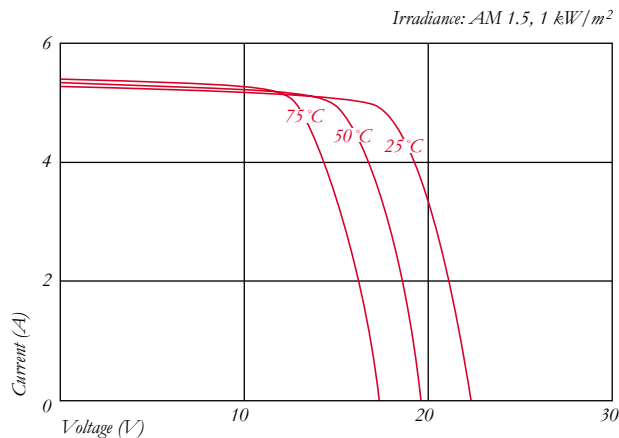
SPECIFICATIONS

in mm

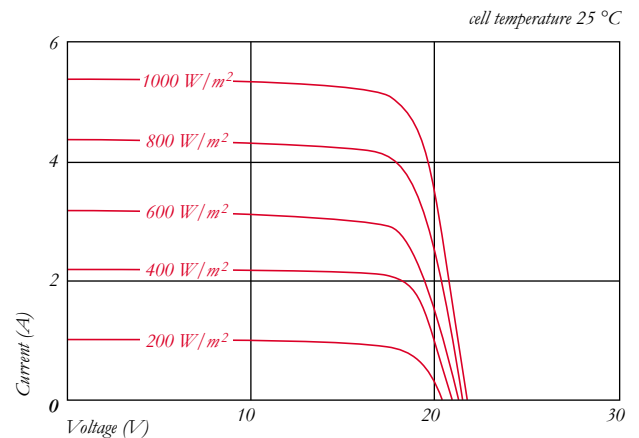


ELECTRICAL CHARACTERISTICS

Current-Voltage characteristics at various cell temperatures



Current-Voltage characteristics at various irradiance levels



ELECTRICAL PERFORMANCE

PV module type	KC85T-1	
At 1000 W/m² (STC)*		
Maximum Power	[W]	87
Maximum System Voltage	[V]	750
Maximum Power Voltage	[V]	17.4
Maximum Power Current	[A]	5.02
Open Circuit Voltage (V _{OC})	[V]	21.7
Short Circuit Current (I _{SC})	[A]	5.34
At 800 W/m² (NOCT)**		
Maximum Power	[W]	62
Maximum Power Voltage	[V]	15.3
Maximum Power Current	[A]	4.06
Open Circuit Voltage (V _{OC})	[V]	19.7
Short Circuit Current (I _{SC})	[A]	4.31
NOCT	[°C]	47
Power tolerance	[%]	+10 / -5
Temperature Coefficient of V _{OC}	[V/°C]	-8.21x10 ⁻²
Temperature Coefficient of I _{SC}	[A/°C]	2.12x10 ⁻³
Reduction of efficiency (from 1000 W/m ² to 200 W/m ²)	[%]	6.1

DIMENSIONS

Length	[mm]	1007
Width	[mm]	652
Depth / incl. junction box	[mm]	36 / 58
Weight	[kg]	8.3
Connection type	Screw terminals	
Junction box	[mm]	170.6x191.6x51.5
IP Code	IP65	

GENERAL INFORMATION

Performance guarantee	10*** / 20 years****
Warranty	2 years

CELLS

Number per module	36
Cell Technology	multicrystal
Cell Shape	rectangular
Cell Bonding	3 busbar

* Electrical values under standard test conditions (STC): irradiation of 1000 W/m², airmass AM 1.5 and cell temperature of 25 °C

** Electrical values under normal operating cell temperature (NOCT): irradiation of 800 W/m², airmass AM 1.5, wind speed of 1 m/s and ambient temperature of 20 °C

*** 10 years on 90% of the minimally specified power P under standard test conditions (STC).

**** 20 years on 80% of the minimally specified power P under standard test conditions (STC).

Your local Kyocera dealer:

Test srl Italy

Strada delle Macchie 1A 06053 Deruta - Perugia
 Tel: 075 8788003 075 4657020 Fax: 075 8788013
 Mobile 335 6158054
 e-mail: testinst@tin.it
 Sito: www.test-italy.com

**KYOCERA
SOLAR**

We care!

**KYOCERA Fin ceramics GmbH
Solar Division**
 Fritz-Mueller-Str. 107
 73730 Esslingen/Germany
 Tel: +49 (0)711 939 34-999
 Fax: +49 (0)711 939 34-950
 Email: solar@kyocera.de
www.kyocerasolar.de